

1882





# intro ↓

**AVERSA - DP PUMPS s.r.l** is the outcome of the joint venture between S.C.AVERSA S.A and DRAKOS POLEMIS GROUP.

Having an accumulated experience of more than 200 years in the global pump market, lead us to revive the pump range of Aversa with contemporary rational criteria in conjunction with the market demands.

AVERSA - DPPUMPS provides both standard and custom made pumps, the quality of which has been frequently recognized at national and international fairs.

Through Innovation, the AVERSA - DP PUMPS Research Department identifies the most suitable technical solutions for our customer's needs.

Our variety of products are used in the industrial, agriculture, and energy fields.

Our services include pump production, installation, transport, service and monitoring.

**AVERSA - DP PUMPS s.r.l** este rezultatul asocierii dintre SC AVERSA SA si DRAKOS POLEMIS GROUP.

Avand o experienta cumulata de mai mult de 200 de ani pe piata mondiala de pompe ne propunem relansarea gamei de pompe AVERSA in concordanta cu cerintele pietei.

AVERSA - DP PUMPS ofera pompe standard si personalizate, calitatea fiind recunoscuta la targurile nationale si internationale.

Prin inovatii, departamentul de cercetare al AVERSA DP - PUMPS SRL identifica cele mai potrivite solutii tehnice pentru cerintele clientilor.

Produsele noastre sunt utilizate in industrie, in agricultura si in sectorul energetic. Serviciile noastre includ productia de pompe, transport, instalare, service si monitorizare.



# products →

We produce custom designs with our in-house research and development team (over 100 unique families of pump designs)

**AVERSA - DP PUMPS** has developed and manufactured pumps for a wide range of applications for: Nuclear power plants, Irrigations - Agriculture, Energy sector – thermo and hydro power plants, Oil industry, Refineries, Mining, Transportation, Petro chemistry, Steel industry, Chemistry, Ship building, Construction, Water supply and distribution, Food industry, General service

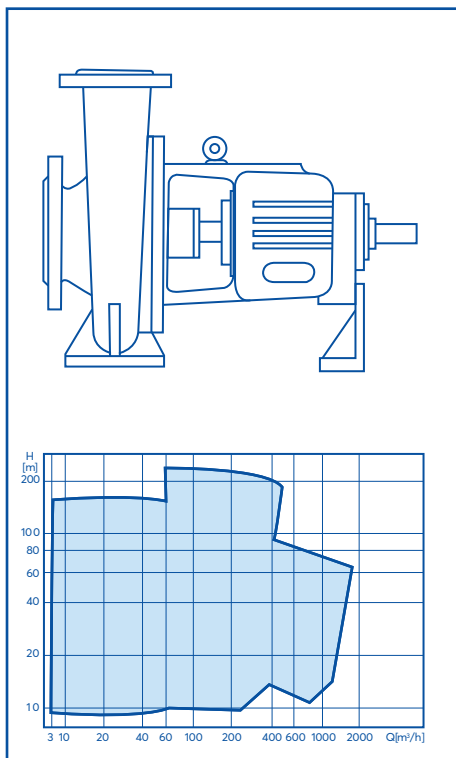
Elaboram proiecte personalizate cu echipa noastra de cercetare si dezvoltare (peste 100 de familii de pompe).

**AVERSA - DP PUMPS** produce pompe pentru o gama larga de aplicatii: echipamente nucleare, agricultura - irigatii, sectorul energetic (termic si hidro), industria petroliera, rafinarii, mine, transport, petrochimie, metalurgie, chimie, industria navala, constructii, furnizarea si distribuirea apei, industria alimentara, servicii generale.



# CM

1



## Constructive features

Single stage

Horizontal

Radially split volute casing

Radial closed impeller, overhung mounted

## Discharge diameter

32÷300 mm

## Performance

$Q = 3\div 1700 \text{ m}^3/\text{h}$

$H = 3\div 220 \text{ m}$

$p \leq 16; 25 \text{ bar}$

$t \leq 130 \text{ }^\circ\text{C}$

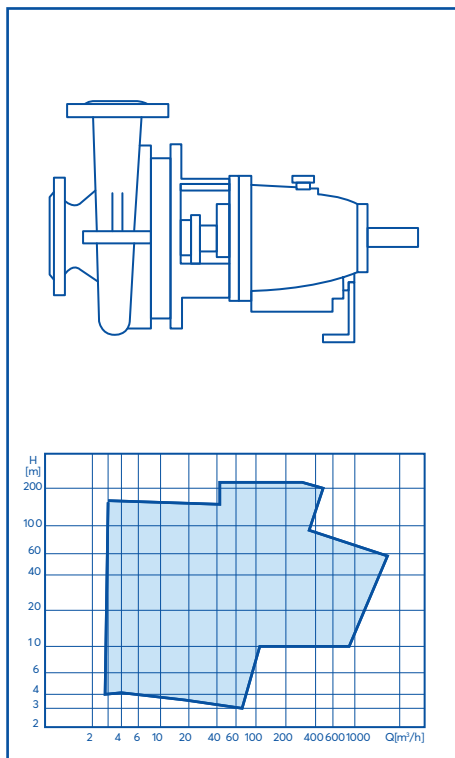
$n = 1450; 2900 \text{ min}^{-1}$

## Fluids

Clean or medium charged fluids without abrasive content and without gathering tendencies: water, petroleum products, base and acid solutions.

# NPM

2



## Constructive features

Single stage

Horizontal

Radially split volute casing

Radial closed impeller overhung mounted

## Discharge diameter

32÷300 mm

## Performance

$Q = 3\div 1700 \text{ m}^3/\text{h}$

$H = 3\div 220 \text{ m}$

$p \leq 25; 40 \text{ bar}$

$t \leq 350 \text{ }^\circ\text{C}$

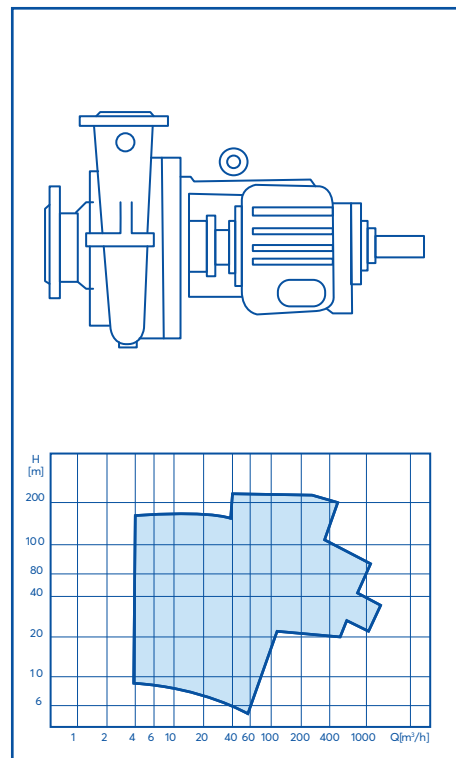
$n = 1450; 2900 \text{ min}^{-1}$

## Fluids

Base and acid solutions, slightly charged without gathering tendencies: hot water, petroleum products, liquid gases, solvents.

# TA

3



## Constructive features

Single stage

Horizontal (with vertical version)

Radially split volute casing

Radial closed impeller, overhung mounted

## Discharge diameter

40÷250 mm

## Performance

$Q = 4\div 1200 \text{ m}^3/\text{h}$

$H = 5\div 220 \text{ m}$

$p \leq 50 \text{ bar}$

$t \leq 400 \text{ }^\circ\text{C}$

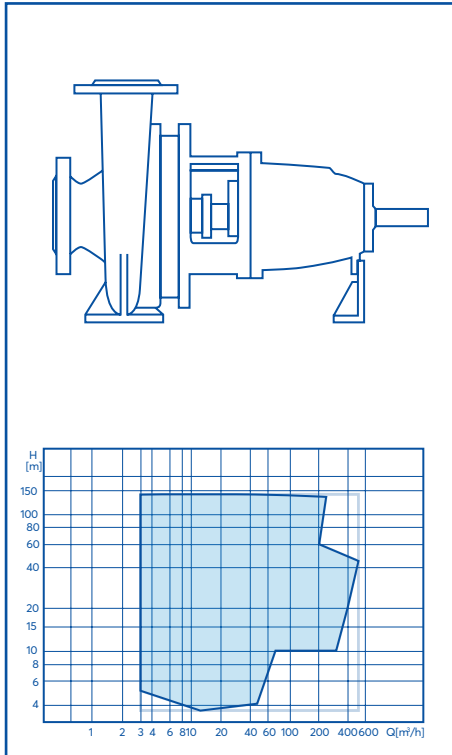
$n = 1450; 2900 \text{ min}^{-1}$

## Fluids

Clean or slightly charged fluids without abrasive content and without gathering tendencies: hydrocarbons, thermal oils, base and acid solutions, hot water, condensate, liquid gases.

# NC

4



## Constructive features

Single stage  
 Horizontal  
 Radially split volute casing  
 Radial closed impeller, overhung mounted  
 NC-AM version with magnetical coupling

## Discharge diameter

32÷150 mm

## Performance

$Q = 3 \div 550 \text{ m}^3/\text{h}$

$H = 3 \div 140 \text{ m}$

$p \leq 16 \text{ bar}$

$t \leq 130 \text{ }^\circ\text{C}$

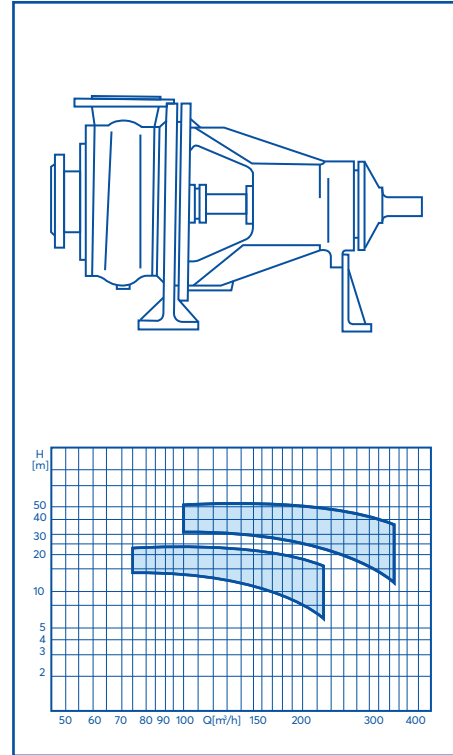
$n = 1450; 2900 \text{ min}^{-1}$

## Fluids

Clean or slightly charged fluids without abrasive content and without gathering tendencies: water, petroleum products, base and acid solutions.

# AGM

5



## Constructive features

Single stage  
 Horizontal  
 Radially split volute casing  
 Radial open impeller, in special construction, overhung mounted

## Discharge diameter

150 mm

## Performance

$Q = 75 \div 350 \text{ m}^3/\text{h}$

$H = 6 \div 50 \text{ m}$

$p \leq 16 \text{ bar}$

$t \leq 90 \text{ }^\circ\text{C}$

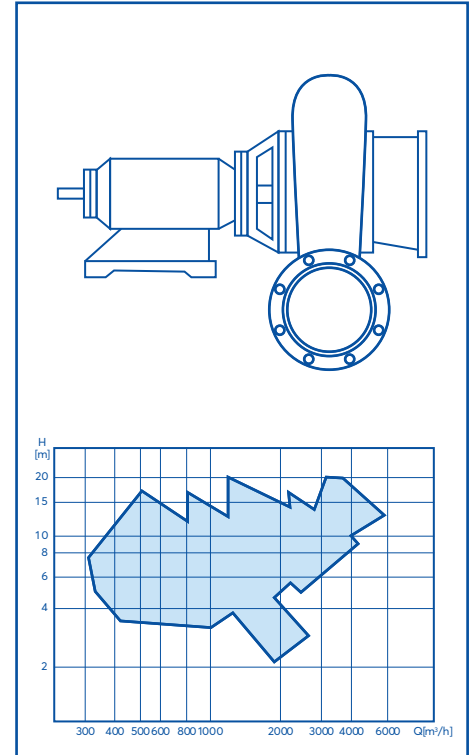
$n = 960; 1450 \text{ min}^{-1}$

## Fluids

Noncorrosive fluids, charged with nonabrasive suspensions of rather small dimensions: drilling mud, pastes, lyes.

# BRATES

6



## Constructive features

Single stage  
 Horizontal  
 Radially split volute casing  
 Mixed-flow closed impeller, overhung mounted

## Discharge diameter

250÷600 mm

## Performance

$Q = 300 \div 5500 \text{ m}^3/\text{h}$

$H = 2 \div 20 \text{ m}$

$p \leq 6 \text{ bar}$

$t \leq 40 \text{ }^\circ\text{C}$

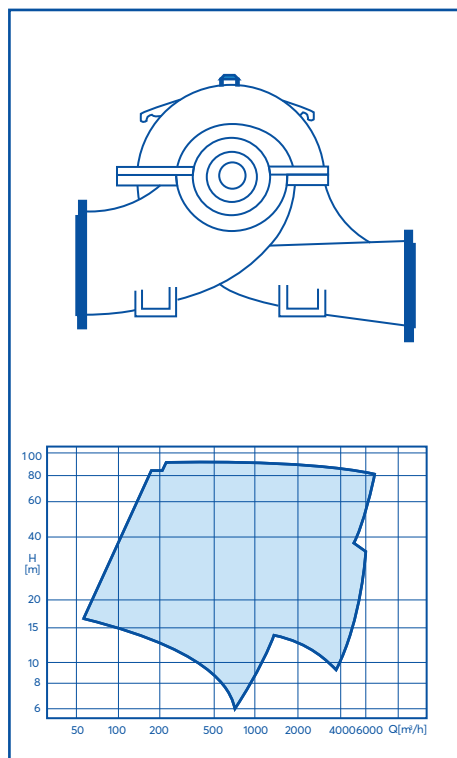
$n = 325 \div 1450 \text{ min}^{-1}$

## Fluids

Clean or slightly charged fluids, without abrasive particles, noncorrosive: drinking and industrial water, settled and river water.

# NDS-SIRET RDP

7



## Constructive features

Single stage

Horizontal

Axially split double volute casing

Radial closed double flow impeller,  
center line mounted

## Discharge diameter

150÷700 mm

## Performance

$Q = 55 \div 7000 \text{ m}^3/\text{h}$

$H = 8 \div 90 \text{ m}$

$p \leq 16 \text{ (10) bar}$

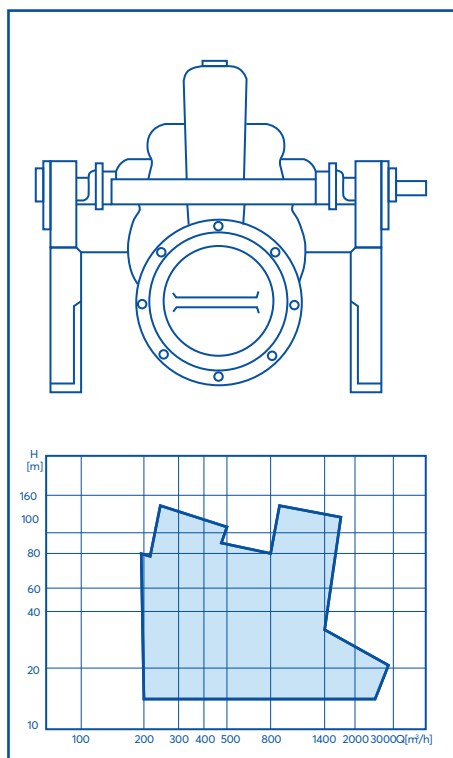
$t \leq 105 \text{ }^\circ\text{C}$

$n = 490 \div 2900 \text{ min}^{-1}$

## Fluids

Clean or slightly charged fluids with nonabrasive particles: clean water, industrial water.

8



## Constructive features

Single stage

Horizontal

Axially split double volute casing

Radial closed double flow impeller,  
center line mounted

## Discharge diameter

150÷400 mm

## Performance

$Q = 200 \div 2900 \text{ m}^3/\text{h}$

$H = 14 \div 140 \text{ m}$

$p \leq 25 \text{ bar}$

$t \leq 170 \text{ }^\circ\text{C}$

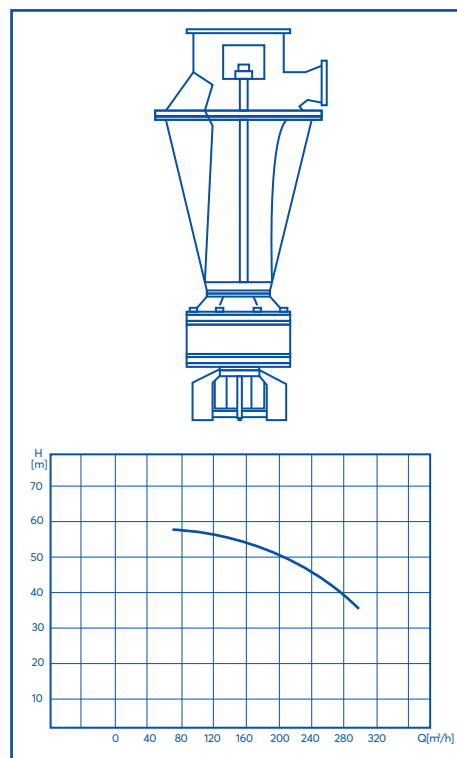
$n = 960; 1450 \text{ min}^{-1}$

## Fluids

Clean or slightly charged fluids with nonabrasive particles or fibrous substances, corrosive or noncorrosive content: waste water, treated water, pastes, lyes, pulp, hydrocarbons, base or acid solutions.

# P 25-46

9



## Constructive features

Double stage

Vertical

Radially split casing

Radial closed impellers

## Discharge diameter

180 mm

## Performance

$Q = 80 \div 300 \text{ m}^3/\text{h}$

$H = 35 \div 55 \text{ m}$

$p \leq 6 \text{ bar}$

$t \leq 105 \text{ }^\circ\text{C}$

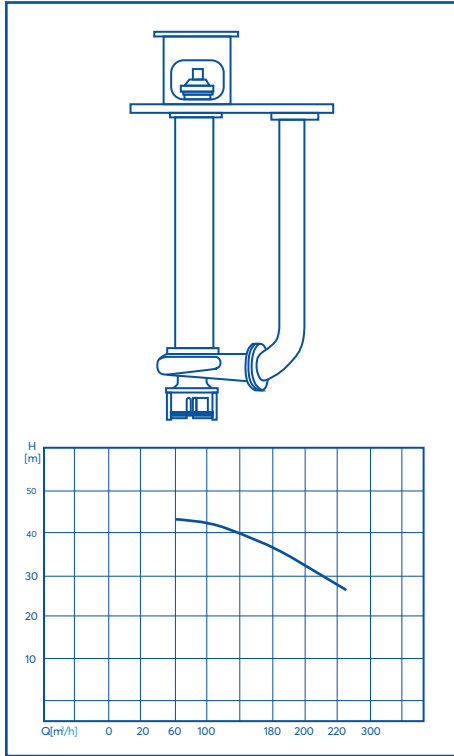
$n = 1500 \text{ min}^{-1}$

## Fluids

Nonabrasive, noncorrosive, rather viscous fluids, turbine oil.

# P 25-51

10



## Constructive features

Single stage  
Vertical  
Radially split casing  
Radial closed impeller  
Prolonged shaft drive

## Discharge diameter

125 mm

## Performance

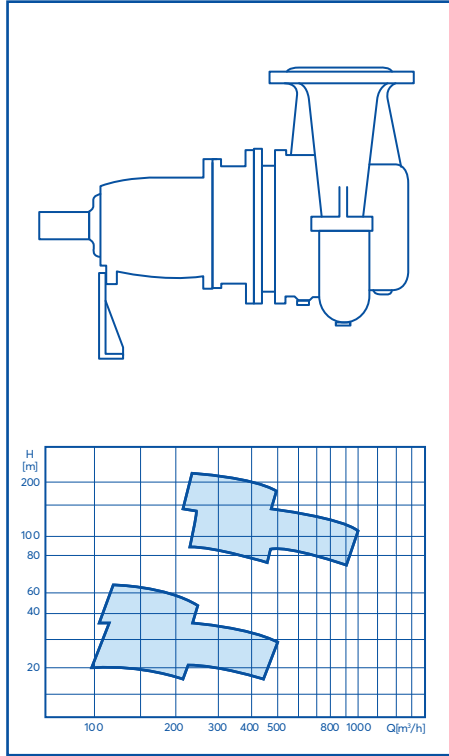
$Q = 60 \div 220 \text{ m}^3/\text{h}$   
 $H = 28 \div 43 \text{ m}$   
 $p \leq 6 \text{ bar}$   
 $t \leq 105 \text{ }^\circ\text{C}$   
 $n = 2900 \text{ min}^{-1}$

## Fluids

Nonabrasive, noncorrosive, rather viscous fluids: turbine oil.

# RDT

11



## Constructive features

Single stage  
Horizontal  
Radially split double volute casing  
Radial closed impeller, double flow, overhung mounted

## Discharge diameter

150÷200 mm

## Performance

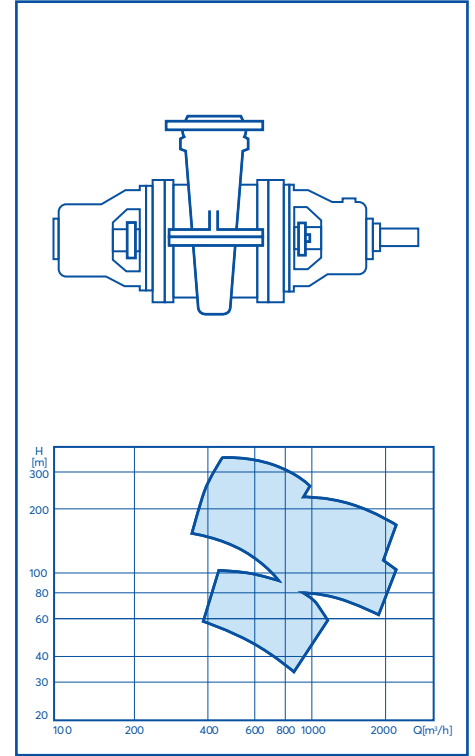
$Q = 100 \div 1000 \text{ m}^3/\text{h}$   
 $H = 18 \div 220 \text{ m}$   
 $p \leq 40 \text{ bar}$   
 $t \leq 400 \text{ }^\circ\text{C}$   
 $n = 1450; 2900 \text{ min}^{-1}$

## Fluids

Clean or slightly charged fluids with nonabrasive particles, corrosive or noncorrosive content: hot water, treated water, condensate, hydrocarbons, acid or base solutions.

# RDC

12



## Constructive features

Single stage  
Horizontal  
Radially split double volute casing  
Radial closed impeller, double flow, center line mounted

## Discharge diameter

200÷300 mm

## Performance

$Q = 340 \div 2200 \text{ m}^3/\text{h}$   
 $H = 35 \div 320 \text{ m}$   
 $p \leq 40 \text{ bar}$   
 $t \leq 350 \text{ }^\circ\text{C}$   
 $n = 1450; 2900 \text{ min}^{-1}$

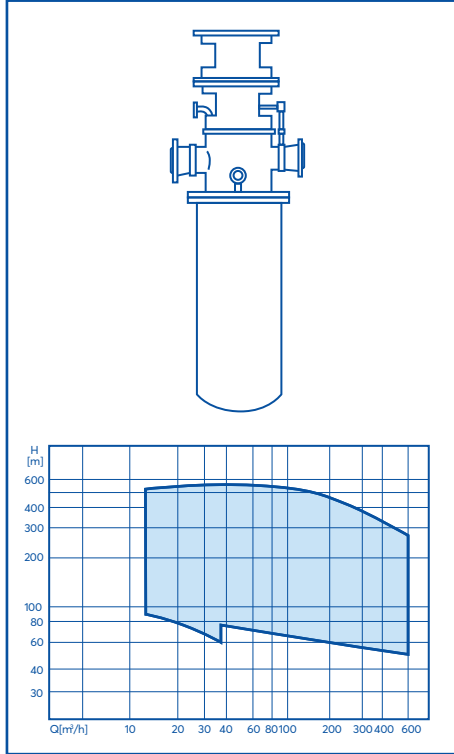
## Fluids

Clean or slightly charged fluids with nonabrasive particles, corrosive or noncorrosive content: hot water, treated water, condensate, hydrocarbons, acid or base solutions, liquid gases.



# CVM

13



## Constructive features

Multistage  
Vertical  
Radially split casing  
In suction vessel  
Radial closed impellers  
Guided long transmission drive

## Discharge diameter

50÷250 mm

## Performance

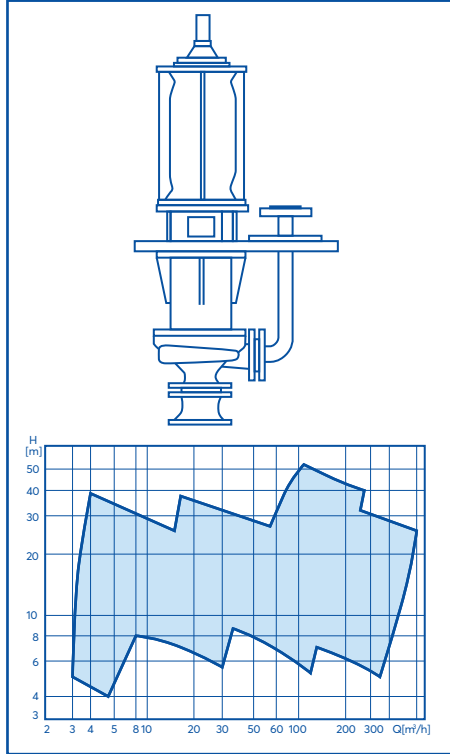
$Q = 13\div 600 \text{ m}^3/\text{h}$   
 $H = 50\div 500 \text{ m}$   
 $p \leq 64 \text{ bar}$   
 $t \leq 180 \text{ }^\circ\text{C}$   
 $n = 960; 1450; 2900 \text{ min}^{-1}$

## Fluids

Clean or slightly charged fluids with nonabrasive particles, corrosive or noncorrosive: hot water, treated water, condensate, petroleum solutions, slightly volatile liquids, toxic substances, liquid gases, volatile substances.

# DNV

14



## Constructive features

Single stage  
Vertical  
Submerged  
Radially split special casing  
Radial closed impeller  
Prolonged shaft drive

## Discharge diameter

65÷150 mm

## Performance

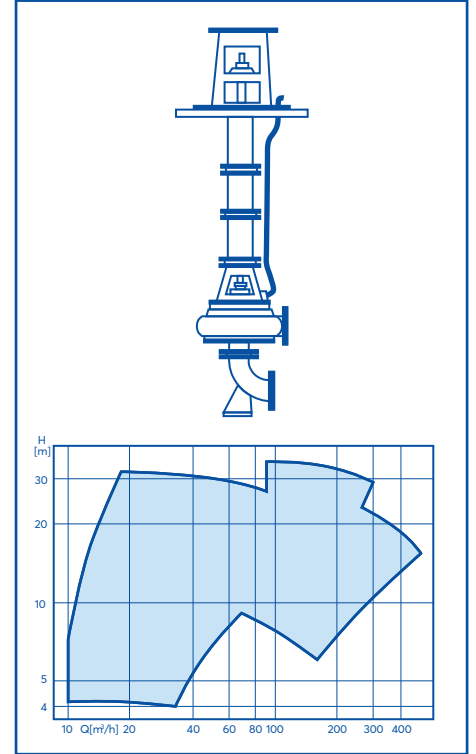
$Q = 3\div 550 \text{ m}^3/\text{h}$   
 $H = 4\div 52 \text{ m}$   
 $p \leq 16 \text{ bar}$   
 $t \leq 130 \text{ }^\circ\text{C}$   
 $n = 980; 1450 \text{ min}^{-1}$

## Fluids

Clean or slightly charged fluids, corrosive or noncorrosive: paint or water mixture, base or acid solutions, solvents.

# ACV

15



## Constructive features

Single stage  
Vertical (with horizontal version)  
Submerged in wet or dry enclosure  
Radially split casing  
Impeller in special construction  
Guided long transmission drive

## Discharge diameter

50÷200 mm

## Performance

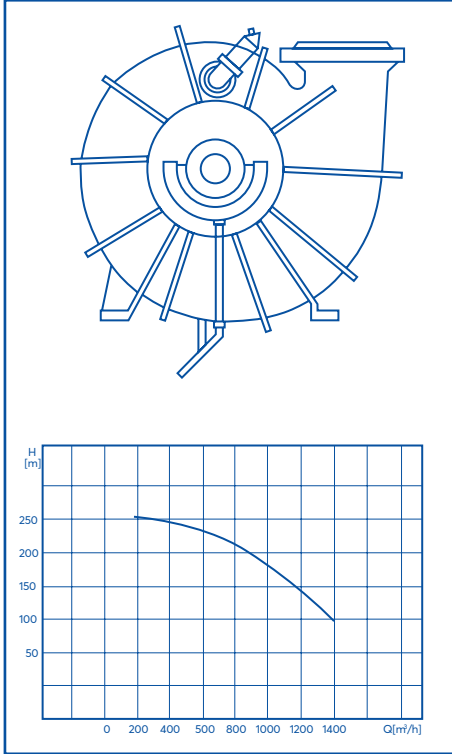
$Q = 10\div 500 \text{ m}^3/\text{h}$   
 $H = 4\div 35 \text{ m}$   
 $p \leq 6 \text{ bar}$   
 $t \leq 50 \text{ }^\circ\text{C}$   
 $n = 1450 \text{ min}^{-1}$

## Fluids

Fluids charged with slightly abrasive grained impurities, noncorrosive or slightly corrosive: residual waters, waste waters, infiltration water, mud, pastes, slurry, pulps.

# P 46

16



## Constructive features

Multistage

Horizontal

Radially split special casings

Radial closed impellers, center line mounted

## Discharge diameter

300 mm

## Performance

$Q = 200 \div 1400 \text{ m}^3/\text{h}$

$H = 100 \div 250 \text{ m}$

$p \leq 30 \text{ bar}$

$t \leq 105 \text{ }^\circ\text{C}$

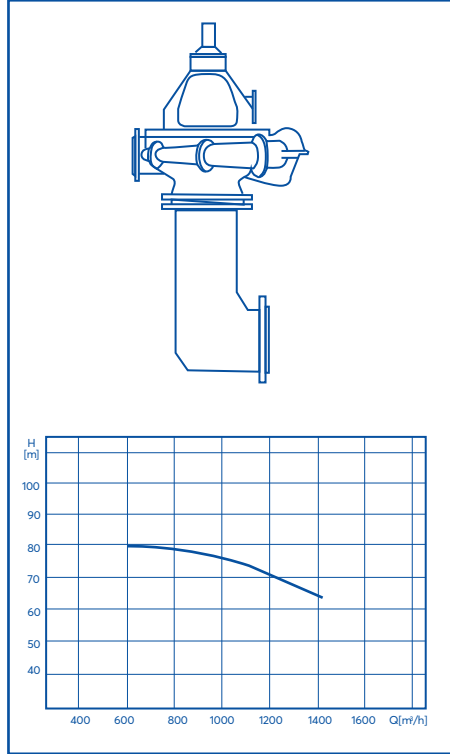
$n = 1450 \text{ min}^{-1}$

## Fluids

Clean fluids: condensate.

# P 45

17



## Constructive features

Single stage

Vertical

Radially split volute casing

Radial closed impeller

## Discharge diameter

200 mm

## Performance

$Q = 600 \div 1400 \text{ m}^3/\text{h}$

$H = 65 \div 80 \text{ m}$

$p \leq 10 \text{ bar}$

$t \leq 105 \text{ }^\circ\text{C}$

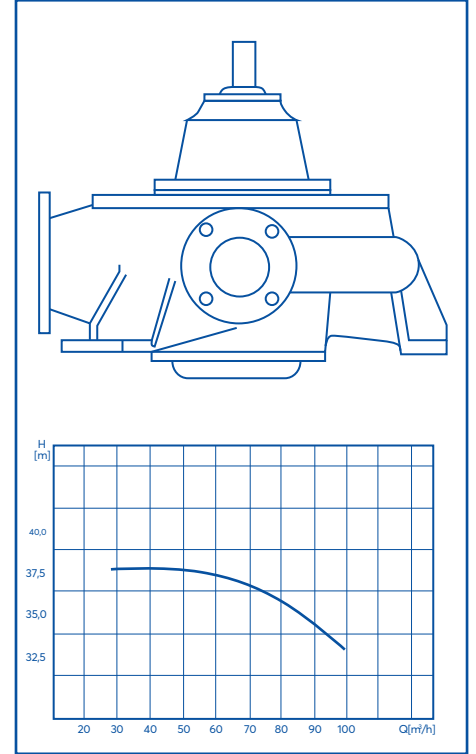
$n = 960 \text{ min}^{-1}$

## Fluids

Clean fluids: condensate.

# P 402 R

18



## Constructive features

Single stage

Vertical

Radially split double volute casing

Closed impeller, double flow

## Discharge diameter

80 mm

## Performance

$Q = 30 \div 100 \text{ m}^3/\text{h}$

$H = 34 \div 39 \text{ m}$

$p \leq 6 \text{ bar}$

$t \leq 105 \text{ }^\circ\text{C}$

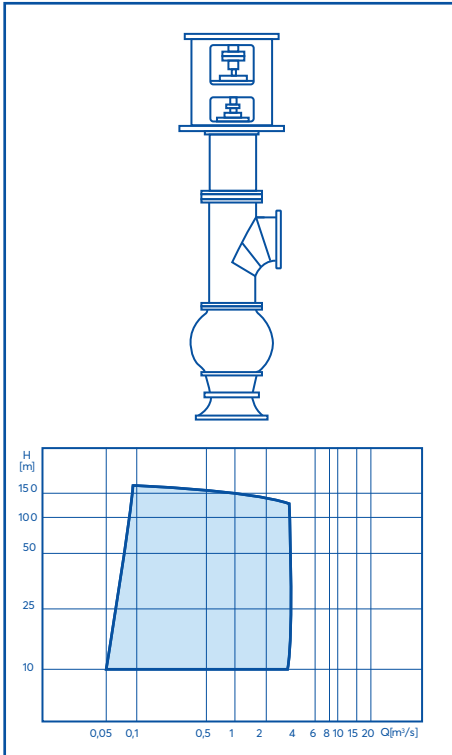
$n = 1450 \text{ min}^{-1}$

## Fluids

Clean fluids: condensate.

# MV

19



## Constructive features

Single or multistage

Vertical

Submerged

Wet or dry version

Radially split mixed-flow casing

Closed or half open mixed-flow  
impeller

Guided long transmission drive

## Discharge diameter

250÷1000 mm

## Performance

$Q = 0,5 \div 17 \text{ m}^3/\text{s}$

$H = 10 \div 160 \text{ m}$

$p \leq 16 \text{ bar}$

$t \leq 50 \text{ }^\circ\text{C}$

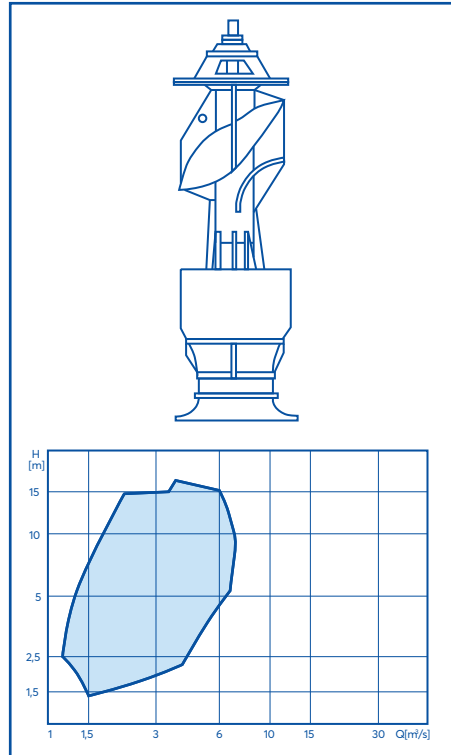
$n = 375 \div 1450 \text{ min}^{-1}$

## Fluids

Clean or slightly charged fluids:  
drinking water, treated water, sea  
water, infiltration water, waste waters,  
condensate.

# MVBB

20



## Constructive features

Single stage

Vertical

Radially split mixed-flow casing

Closed or half-open mixed-flow  
impeller

Extractable pumping head from  
concrete pit

## Discharge diameter

1000÷2800 mm

## Performance

$Q = 1,2 \div 6,5 \text{ m}^3/\text{s}$

$H = 1,5 \div 17 \text{ m}$

$p \leq 6 \text{ bar}$

$t \leq 50 \text{ }^\circ\text{C}$

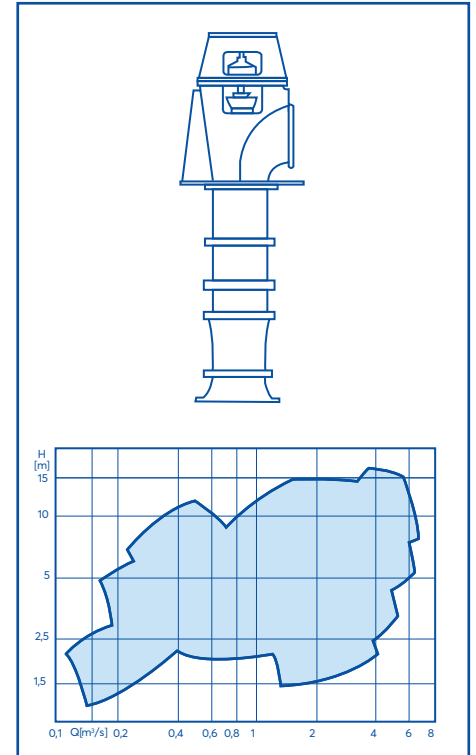
$n = 295 \div 750 \text{ min}^{-1}$

## Fluids

Clean or slightly charged fluids:  
industrial water, drinking water,  
cooling water, treated water, sea  
water.

# AV

21



## Constructive features

Single stage

Vertical

Submerged

Wet or dry version

Radially split casing

Axial impeller with fixed blades

Guided long transmission drive

## Discharge diameter

300÷1200 mm

## Performance

$Q = 0,5 \div 6,5 \text{ m}^3/\text{s}$

$H = 1,2 \div 17 \text{ m}$

$p \leq 2,5 \text{ bar}$

$t \leq 50 \text{ }^\circ\text{C}$

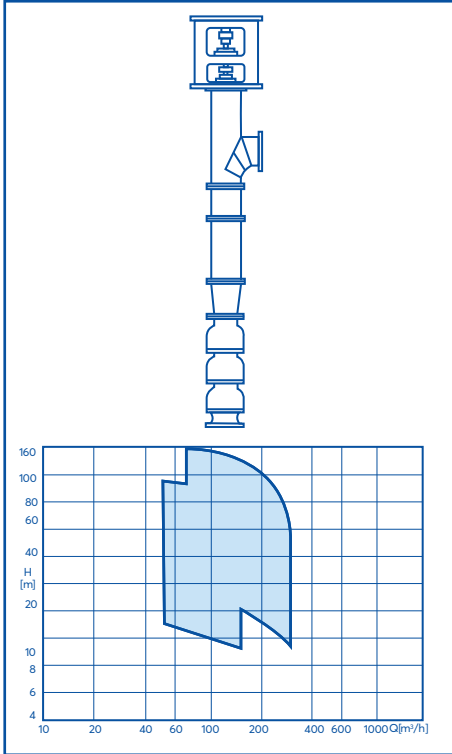
$n = 375 \div 1450 \text{ min}^{-1}$

## Fluids

Clean or slightly charged fluids,  
with nonabrasive suspensions:  
treated water, waste waters, residual  
water, sea water, infiltration water,  
condensate.

# MA

22



## Constructive features

Multi stage

Vertical

Wet or dry version

Radially split, mixed-flow casing

Closed mixed-flow impellers

Guided long transmission drive

## Discharge diameter

150÷200 mm

## Performance

$Q = 50 \div 300 \text{ m}^3/\text{h}$

$H = 10 \div 150 \text{ m}$

$p \leq 16 \text{ bar}$

$t \leq 50 \text{ }^\circ\text{C}$

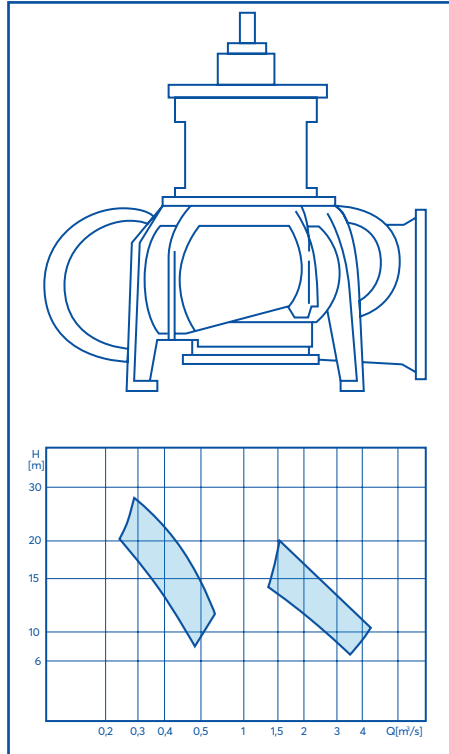
$n = 1450 \text{ min}^{-1}$

## Fluids

Clean or slightly charged fluids with nonabrasive suspensions, corrosive or noncorrosive: industrial water, sea water, infiltration water, mixture of water and hydrocarbons, condensate.

# MSV

23



## Constructive features

Single stage

Vertical

Radially split casing

Open mixed-flow impeller, overhung mounted

## Discharge diameter

400÷1200 mm

## Performance

$Q = 0,27 \div 4 \text{ m}^3/\text{s}$

$H = 7 \div 39 \text{ m}$

$p \leq 6 \text{ bar}$

$t \leq 50 \text{ }^\circ\text{C}$

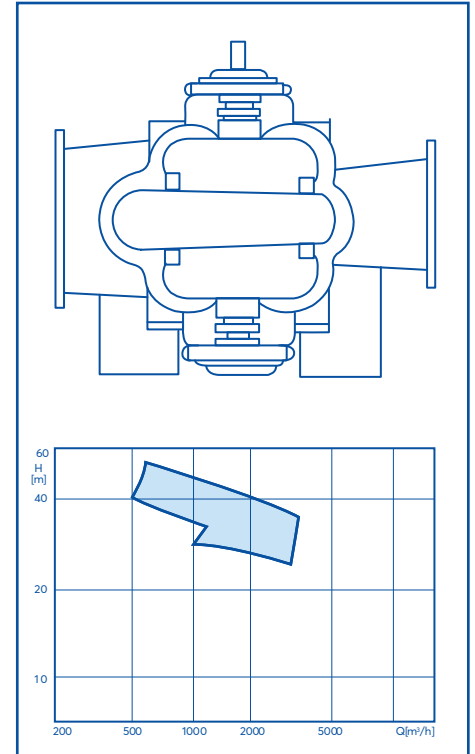
$n = 368 \div 1450 \text{ min}^{-1}$

## Fluids

Clean or slightly charged fluids, with nonabrasive particles: drinking water, industrial water, waste waters, treated water.

# PB

24



## Constructive features

Single stage

Vertical

Axially split double volute casing

Radial closed impeller, double flow, center line mounted

## Discharge diameter

500÷600 mm

## Performance

$Q = 500 \div 3500 \text{ m}^3/\text{h}$

$H = 28 \div 55 \text{ m}$

$p \leq 6 \text{ bar}$

$t \leq 50 \text{ }^\circ\text{C}$

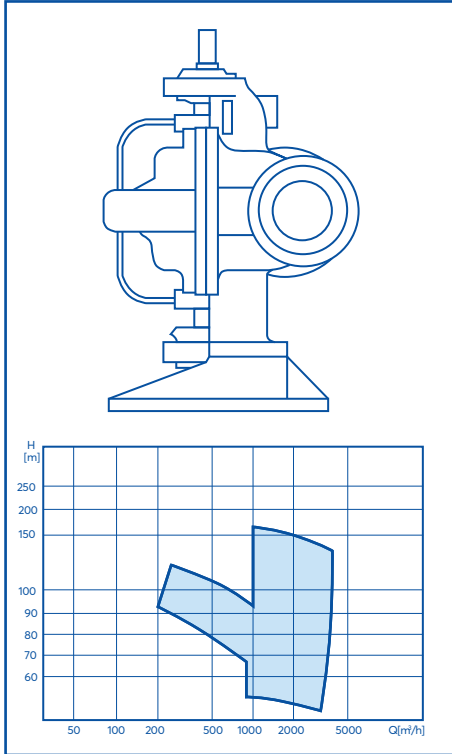
$n = 450 \div 750; 985 \text{ min}^{-1}$

## Fluids

Fluids slightly charged with corrosive particles: sea water.

# PM

25



## Constructive features

Single stage

Vertical

Axially split double volute casing

Radial closed impeller, double flow, center line mounted

## Discharge diameter

300÷600 mm

## Performance

$Q = 200\div3500 \text{ m}^3/\text{h}$

$H = 25\div160 \text{ m}$

$p \leq 16 \text{ bar}$

$t \leq 65 \text{ }^\circ\text{C}$

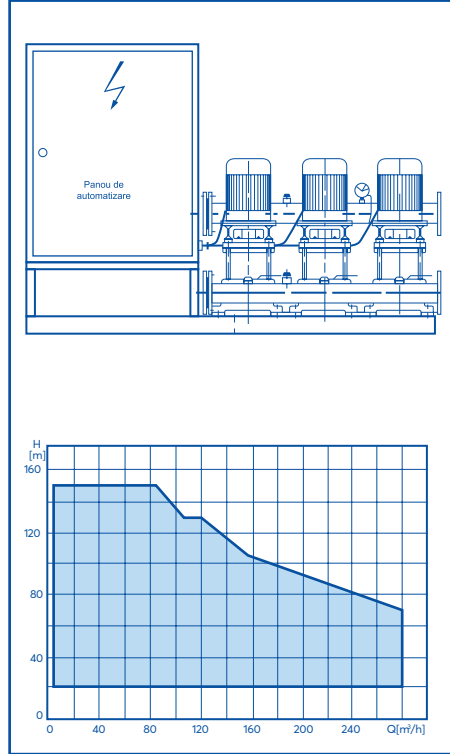
$n = 650\div1300; 1450 \text{ min}^{-1}$

## Fluids

Fluids slightly charged, corrosive: crude oil, naphtha, gasoline, sea water.

# HM

26



## Constructive features

Pumping unit with 2-6 electric pumps, centrifugal multistage vertical construction mounted on a common support running simultaneously. Provided with valves, non-return valves, gauge with pressure indicator, water supply plant with rubber diaphragm, automatization panel.

## Discharge diameter

40÷100 mm

## Performance

$Q = 3\div280 \text{ m}^3/\text{h}$

$H = 20\div150 \text{ m}$

$p \leq 20 \text{ bar}$

$t \leq 70 \text{ }^\circ\text{C}$

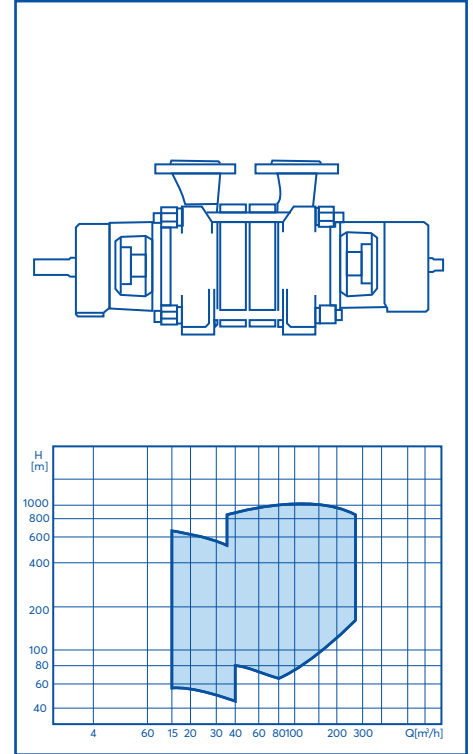
$n = 2900 \text{ min}^{-1}$

## Fluids

Noncorrosive fluids with nonabrasive particles: drinking or industrial water.

# MET

27



## Constructive features

Multistage

Horizontal

Radially split casing

Radial closed impellers, center line mounted

With axial balancing drum

## Discharge diameter

50÷125 mm

## Performance

$Q = 15\div270 \text{ m}^3/\text{h}$

$H = 45\div1000 \text{ m}$

$p \leq 64; 100 \text{ bar}$

$t \leq 120 \text{ }^\circ\text{C}$

(MED-C 120÷200 °C)

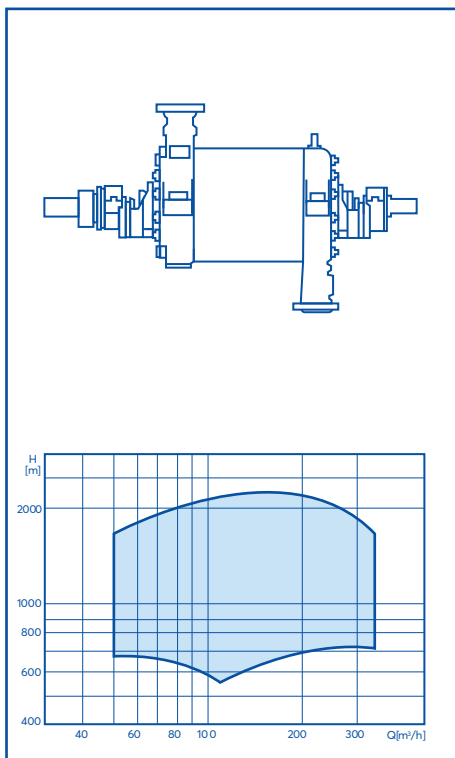
$n = 2900 \text{ min}^{-1}$

## Fluids

Clean or slightly charged fluids, nonabrasive, noncorrosive or slightly corrosive: mine water, industrial water, waste waters, condensate.

# MT

28



## Constructive features

Single stage

Horizontal

Radially split casing

Radial closed impellers, center line mounted

With axial balancing drum

## Discharge diameter

100÷125 mm

## Performance

$Q = 70 \div 350 \text{ m}^3/\text{h}$

$H = 550 \div 2250 \text{ m}$

$p \leq 250 \text{ bar}$

$t \leq 200 \text{ }^\circ\text{C}$

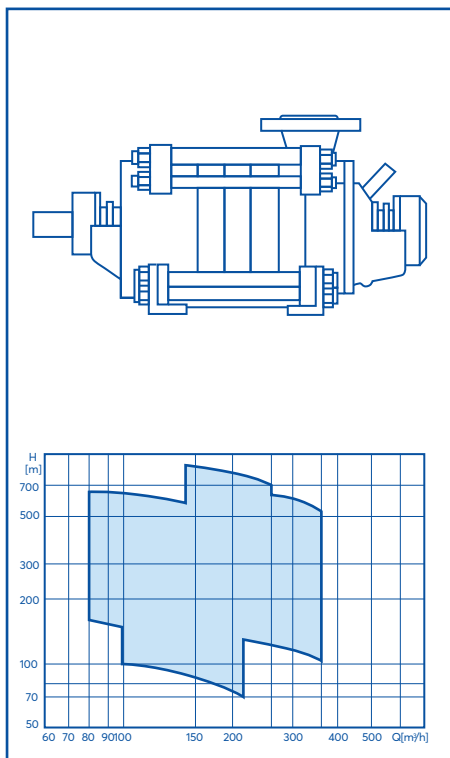
$n = 2900 \text{ min}^{-1}$

## Fluids

Clean or slightly charged fluids, nonabrasive, corrosive or noncorrosive, cold or hot: clean water, treated water, hot water, condensate, corrosive water, hydrocarbons, oils.

# MM

29



## Constructive features

Multistage

Horizontal

Radially split casing

Radial closed impellers, center line mounted

With axial balancing disk

## Discharge diameter

150÷200 (300) mm

## Performance

$Q = 80 \div 350 (600) \text{ m}^3/\text{h}$

$H = 70 \div 750 \text{ m}$

$p \leq 64/100 \text{ bar}$

$t \leq 110 \text{ }^\circ\text{C}$

$n = 960; 1475 \text{ min}^{-1}$

## Fluids

Slightly charged fluids, abrasive or nonabrasive, noncorrosive or slightly corrosive: mine water, industrial water, waste waters, condensate.





**HEADQUARTERS**

25 Ziduri Mosi Street, District 2, Bucharest

Phone/Fax: +4021 252 7793

[aversa@aversa.ro](mailto:aversa@aversa.ro)

[www.aversadppumps.com](http://www.aversadppumps.com)